

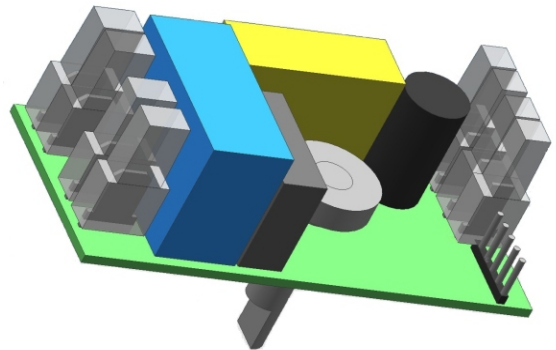
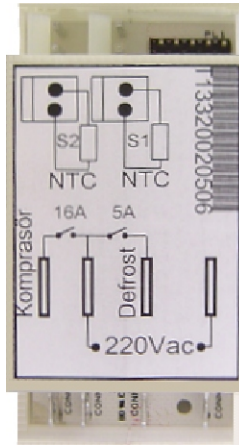
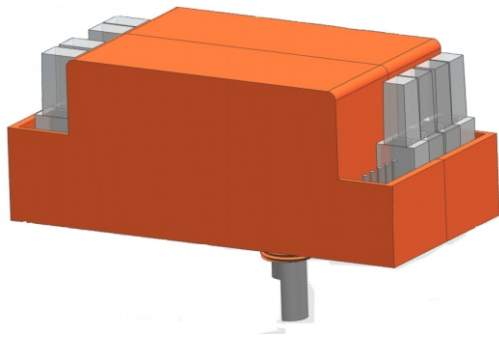


Read this document carefully before using this device. The guarantee will be expired by damaging of the device if you don't attend to the directions in the user manual. Also we don't accept any compensations for personal injury, material damage or capital disadvantages.



Thank you for choosing our FRIK T1332 thermostat model

* Standart 36x78 plastic house



TECHNICAL SPECIFICATIONS

Sensor type	Temperature range	Accuracy
NTC	-20...110 °C	± % 1 (Full Scale) ±1 digit

ENVIRONMENTAL CONDITIONS

Ambient / Storage temperature	0...50 °C / -25...+70 °C
Maksimum Relative Humidity	80% up to 30°C decreasing linearly 50 % at 50°C

ELECTRICAL CHARACTERISTICS

Power Supply	230 Vac + %10 - %20 50/60 Hz
Power Consumption	Max. 7VA
Wiring	With fast on connectors or 3.96mm PCB locked connectors

OUTPUTS

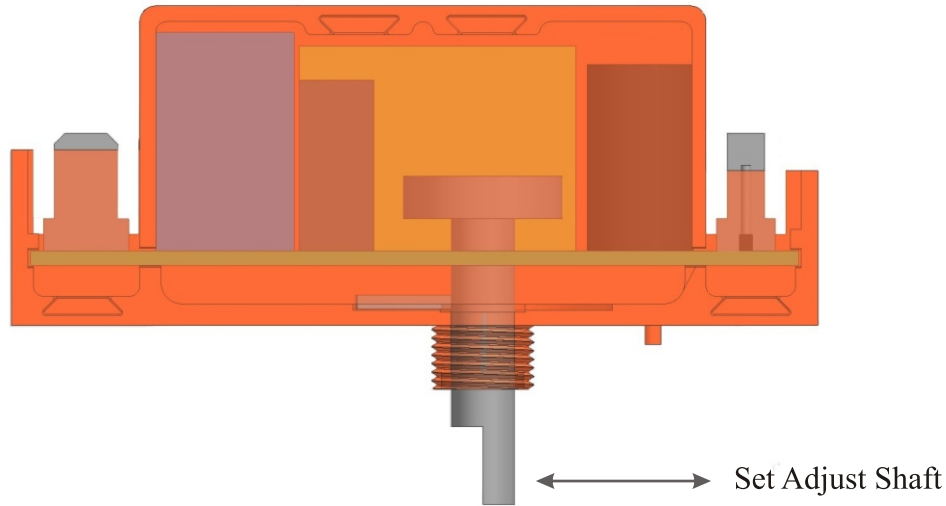
Heating/Cooling	Relay 1: 16A , Relay 2: 5A
Life expectancy for relay	Mechanical 10.000.000 open close , 100.000 open close under load

CONTROL

Control Type	Single set point
Control Procedure	ON - OFF
A / D	10 Bits

HOUSING

Housing type	Standart thermostat with gas mounting
Weight	~ 50 gr
Enclosure Material	ABS



Set Adjust Shaft	Adjusts the desired value
------------------	---------------------------

ADDITIONAL PROPERTIES

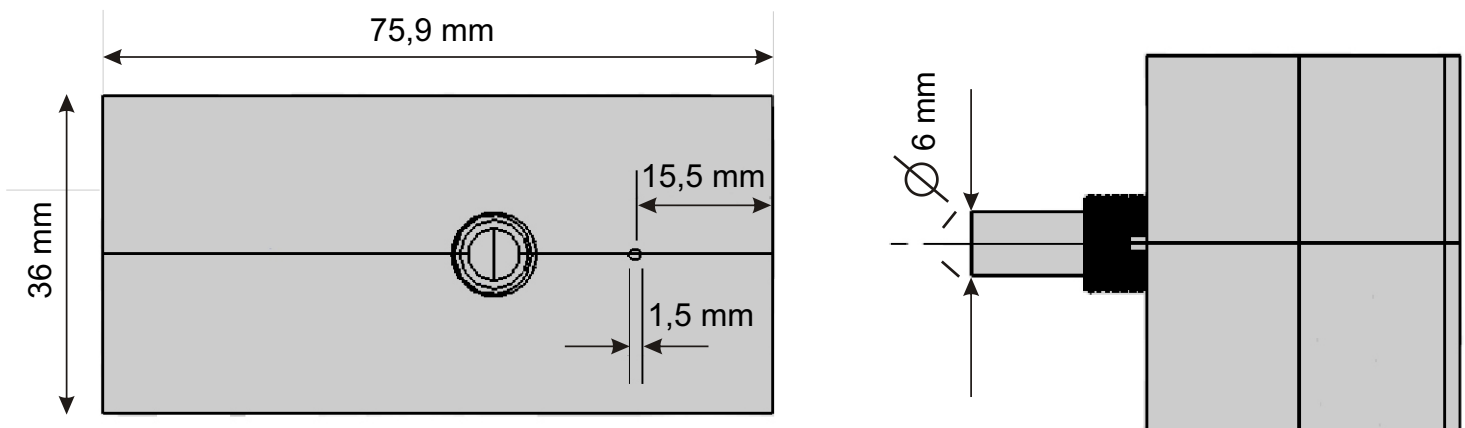
- * Preparation of second relay's operation condition as depending on customer request
- * Description of second sensor's operation as depending on customer request
- * Description an alarm output instead of second sensor

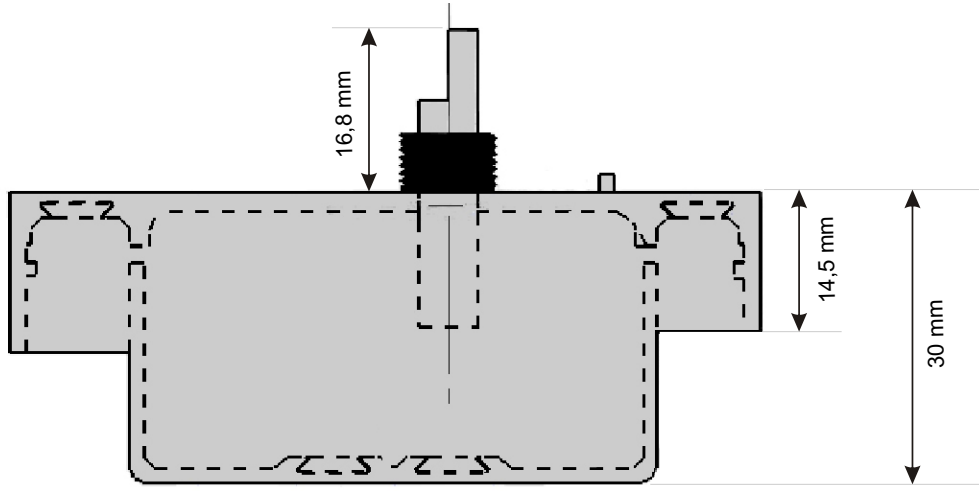
OPERATION PRENCIPLE

* It is a cooling unit containing defrost with two relays control thermostat. Relay 1(16 A) is a cooling output relay (for compressor).
 Relay outputs until reaching temperature value that is adjusted by set button. Relay 2 (5 A) is defrost output relay. This relay can be programmed for application that is defrost with resistance or defrost with gas. (fabrication adjustment)
 Compressor operation difference, compressor delay run, defrost time and temperature values exiting defrost are adjusted with respect to customer request as fabrication

THERMOSTAT ADJUST AND CONDITIONS

- * Temp. Set adjust : -20 ... -10C
- * Operating difference : 2C
- * Defrost : after 8h operating time 20 min. defrost
- * Out from defrost : if the defrost sensor is $\geq 7C$ defrost goes off





FRİK T1332 THERMOSTAT WIRING DIAGRAM

